

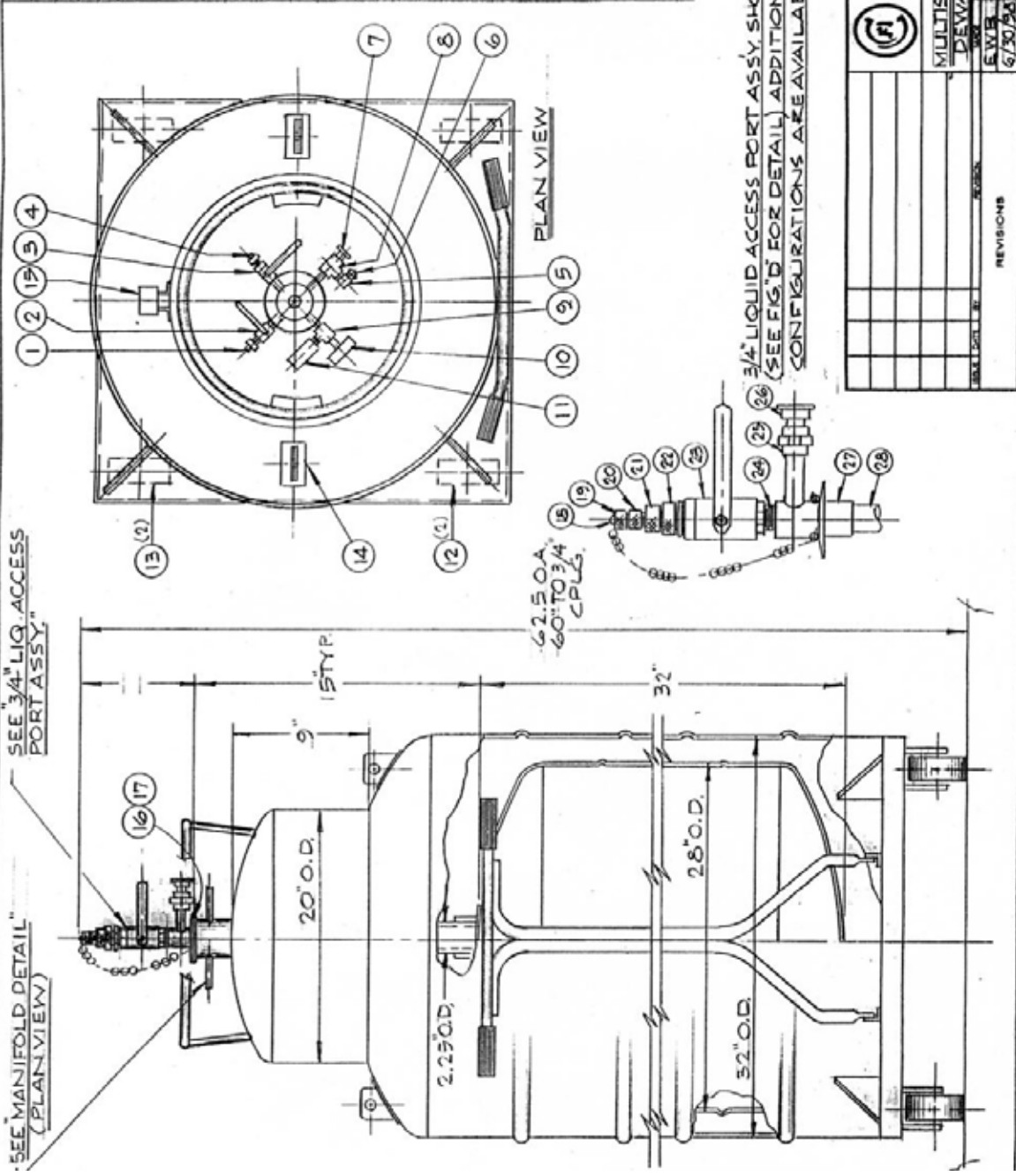


## CMSH 250S Calibration

in.	liters
1	1.4
2	5.2
3	11.1
4	18.6
5	27.3
6	36.9
7	46.8
8	56.9
9	66.9
10	76.9
11	86.9
12	96.9
13	107.0
14	117.0
15	127.0
16	137.0
17	147.0
18	157.1
19	167.1
20	177.1
21	187.1
22	197.1
23	207.2
24	217.2
25	227.2
26	237.2
27	246.7
28	255.5
29	263.0
30	268.9
31	272.7
32	274.1

cm	liters	cm	liters
1	0.2	42	142.3
2	0.9	43	146.3
3	1.9	44	150.2
4	3.3	45	154.2
5	5.0	46	158.1
6	7.1	47	162.1
7	9.5	48	166.0
8	12.1	49	169.9
9	15.0	50	173.9
10	18.1	51	177.8
11	21.4	52	181.8
12	24.8	53	185.7
13	28.4	54	189.7
14	32.1	55	193.6
15	36.0	56	197.6
16	39.8	57	201.5
17	43.8	58	205.4
18	47.7	59	209.4
19	51.6	60	213.3
20	55.6	61	217.3
21	59.5	62	221.2
22	63.5	63	225.2
23	67.4	64	229.1
24	71.4	65	233.0
25	75.3	66	236.9
26	79.2	67	240.8
27	83.2	68	244.5
28	87.1	69	248.1
29	91.1	70	251.6
30	95.0	71	255.0
31	99.0	72	258.1
32	102.9	73	261.1
33	106.9	74	263.8
34	110.8	75	266.2
35	114.7	76	268.4
36	118.7	77	270.2
37	122.6	78	271.7
38	126.6	79	272.9
39	130.5	80	273.6
40	134.5	81	273.9
41	138.4		

PARTS LIST		
NO. REQ.	DESCRIPTION	MAT'L.
1	HEX NIPPLE, 1/2" NPT	BRASS
2	BALL VALVE, 1/2" NPT	BRONZE
3	BALL VALVE, 1/4" NPT	BRONZE
4	RELIEF VALVE, 1/4" NPT, 1/2 PSIG	BRASS
5	ELBOW, 90°, 1/2" NPT	BRASS
6	RUPTURE DISC, 1/2" NPT, 35 PSIG	BRASS
7	RELIEF VALVE, 1/2" NPT, 10 PSIG	BRASS
8	TEE, 1/2" NPT	BRASS
9	TEE, 1/4" NPT	BRASS
10	FORWARD GAUGE, 30 HG-0.15 PSIG	5/5
11	OSCILLATION CHAMBER	304 S/S
12	SWIVEL CASTERS	5/5
13	RIGID CASTERS	5/5
14	LIFTING LUGS	304 S/S
15	PUMP-OUT	
16	CLAMP, 2 1/2", HVY. DUTY	BUNA
17	GASKET, 2 1/2"	
18	PLUG & CHAIN, 3/8"	
19	QUICK COUPLING, 3/8"	BRASS
20	QUICK COUPLING, PLAIN, 1/2"	BRASS
21	QUICK COUPLING, 5/8"	BRASS
22	QUICK COUPLING, 3/4"	BRASS
23	BALL VALVE, 1" NPT	BRONZE
24	CLOSE NIPPLE, 1" NPT	BRASS
25	COUPLING, 1/2" NPT	BRASS
26	RELIEF VALVE, 1/2" NPT, 150 PSIG	BRASS
27	FLANGE ASSY	5/5
28	GUIDE TUBE, 1 1/8" O.D. x 6'-10"	G-10

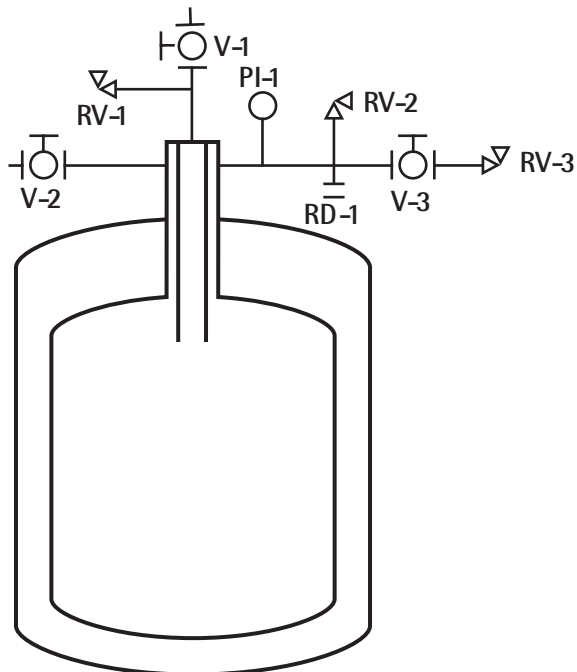


**CRYOFAB**  
KENILWORTH, N.J. 07033

MULTISHIELDED LIQUID HELIUM STORAGE  
DEWAR 350 LITER CAPACITY

DATE: 6/30/93  
BY: [Signature]  
CHECKED BY: [Signature]

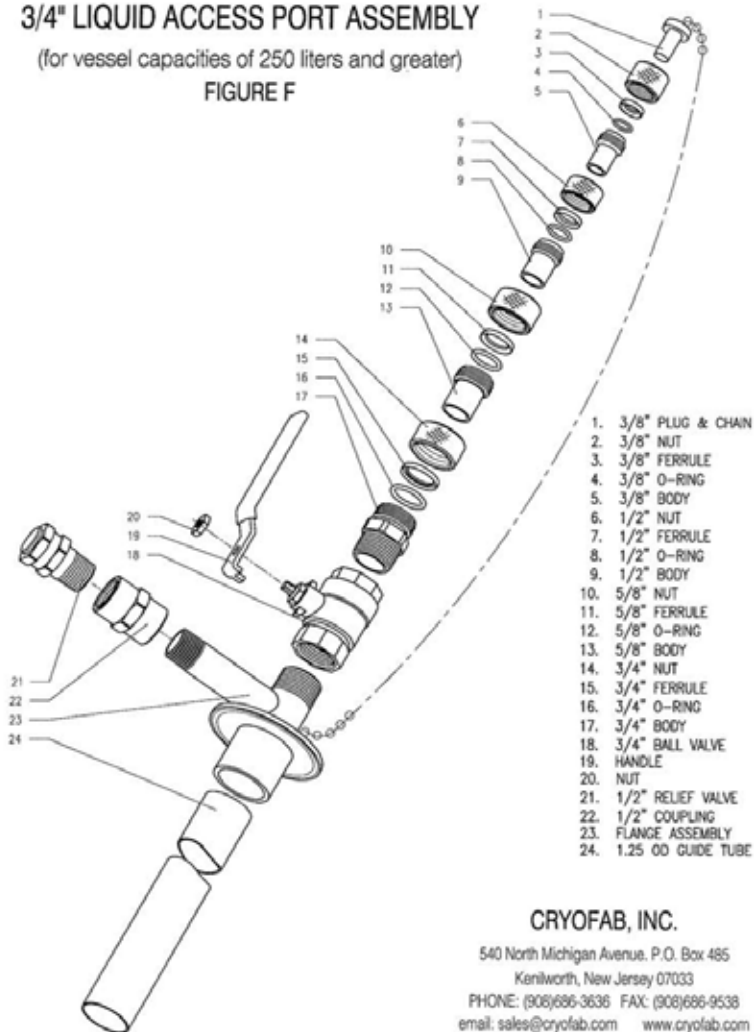
### Piping Schematic



### 3/4" LIQUID ACCESS PORT ASSEMBLY

(for vessel capacities of 250 liters and greater)

FIGURE F



### CRYOFAB, INC.

540 North Michigan Avenue, P.O. Box 485  
 Kenilworth, New Jersey 07033  
 PHONE: (908)686-3636 FAX: (908)686-9538  
 email: sales@cryofab.com www.cryofab.com