

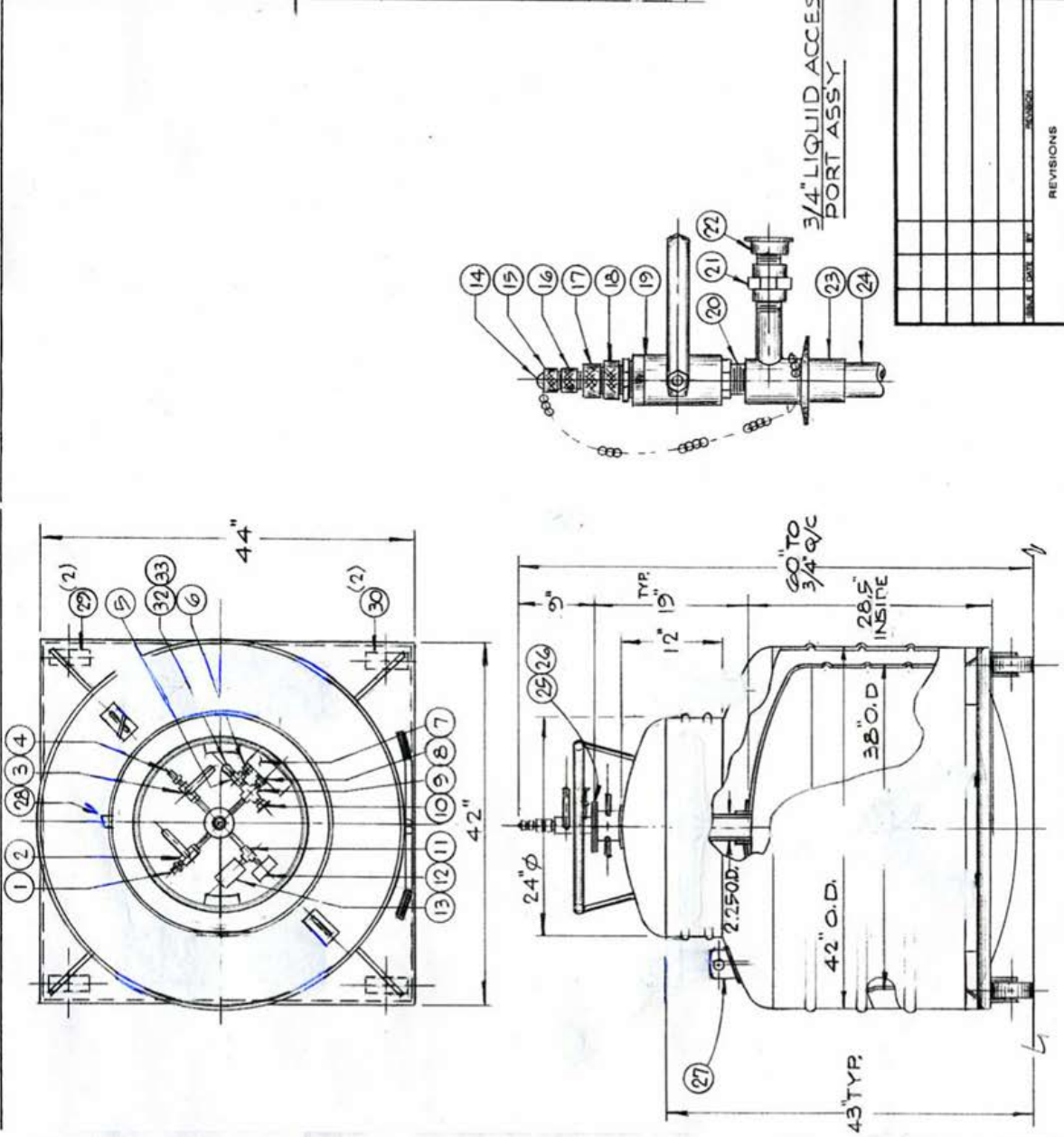


CMSH 400S Calibration

in.	liters
1	2.0
2	7.8
3	17.3
4	30.4
5	47.1
6	65.6
7	84.0
8	102.5
9	121.0
10	139.5
11	157.9
12	176.4
13	194.9
14	213.3
15	231.8
16	250.3
17	268.8
18	287.2
19	305.7
20	324.2
21	342.6
22	361.1
23	379.6
24	397.4
25	412.9
26	423.7
27	431.4
28	435.0
28.5	435.9

cm	liters
2	1.0
4	4.0
6	10.0
8	18.0
10	30.0
12	42.2
14	56.7
16	71.1
18	85.6
20	100.0
22	114.4
24	128.9
26	143.3
28	157.8
30	172.2
32	186.7
34	201.1
36	215.6
38	230.0
40	244.4
42	258.9
44	273.3
46	287.8
48	302.2
50	316.7
52	331.1
54	345.6
56	360.0
58	374.4
60	388.9
62	403.3
64	415.0
66	424.0
68	431.0
70	434.0
72	435.7

PARTS LIST			
NO	REG	DESCRIPTION	MAT'L
1		HEX NIPPLE, 1/2" NPT	BRASS
2		BALL VALVE, 1/2" NPT	BRONZE
3		BALL VALVE, 1/4" NPT	BRONZE
4		RELIEF VALVE, 1/4" NPT, 3PSIA	BRASS
5		TEE, STREET, 1/2" NPT	BRASS
6		MALE CONN, 1/2" NPT x 3/8" O.D.	BRASS
7		ELECT. PRESS. BLDG. SYS. 4 PSIG, 240VAC	S/S
8		MTG. NIPPLE, 1/2" NPT x 2" LG.	BRASS
9		CROSS, 1/2" NPT	BRASS
10		RELIEF VALVE, 1/2" NPT, 15 PSIG	BRASS
11		TEE, 1/4" NPT	BRASS
12		COMPOUND GALV. 30KG-O-30PSIG	BRASS
13		OSCILLATION CHARTER	304 S/S
14		PLUG & CHAIN, 3/8"	BRASS
15		QUICK COUPLING, PLAIN, 1/2"	BRASS
16		QUICK COUPLING, 5/8"	BRASS
17		QUICK COUPLING, 3/4"	BRASS
18		BALL VALVE, 1" NPT	BRONZE
19		CLOSE NIPPLE, 1" NPT	BRASS
20		COUPLING, 1/2" NPT	BRASS
21		FLANGE ASSY, 1/2" NPT, 15 PSIG	BRASS
22		FLANGE ASSY, 1/2" NPT, 15 PSIG	S/S
23		GLIDE TUBE, 1 1/4" O.D. x 2 1/2"	G-10
24		CLAMP HVY. DUTY, 2 1/2"	BUNA
25		GASKET, 2 1/2"	304 S/S
26		LIFTING LUGS	S/S
27		PUMP OUT	S/S
28		RIGID CASTERS, 5" Ø	S/S
29		SWIVEL LOCKING CASTERS, 5" Ø	S/S
30		ELBOW STREET, 1/2" NPT	BRASS
31		RUPTURE DISC, 1/2" NPT, 39PSIG	BRASS



CRYOFAB
KENILWORTH, N.J. 07033

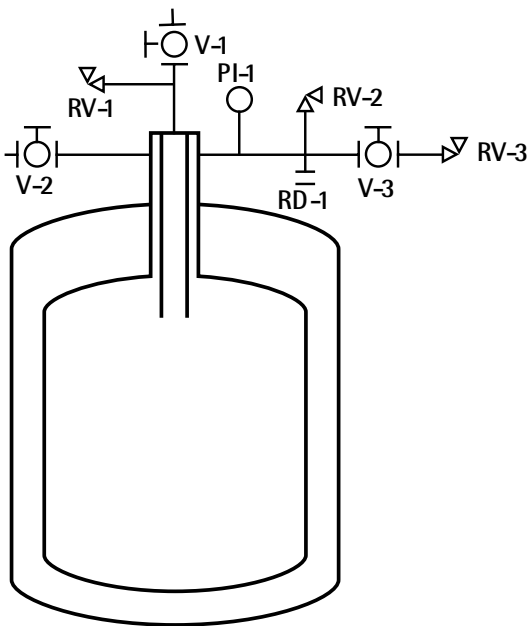
MULTISHIELDED LIQUID HELIUM STORAGE
DEWAR, 400 LITER CAPACITY

REV	DATE	DESCRIPTION	BY	CHKD
1				
2				
3				
4				
5				
6				
7				
8				
9				
10				
11				
12				
13				
14				
15				
16				
17				
18				
19				
20				
21				
22				
23				
24				
25				
26				
27				
28				
29				
30				
31				
32				
33				

REVISIONS

6-26-96 NTS CM5H-400

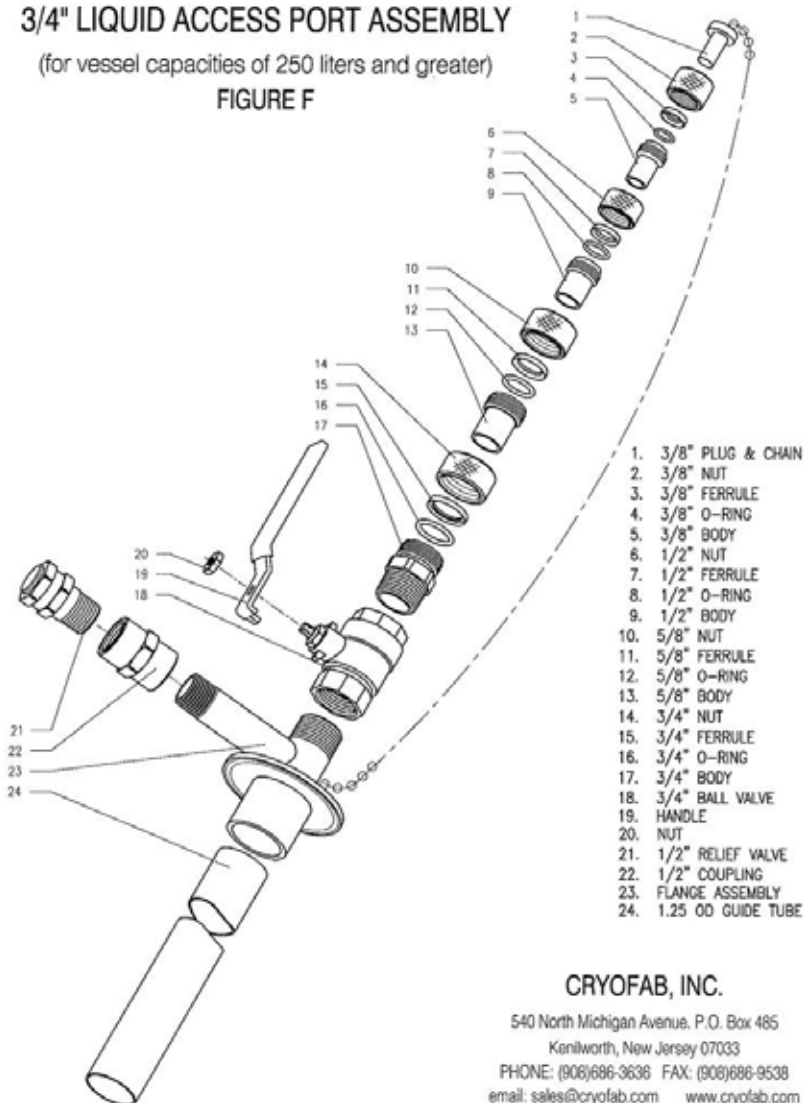
Piping Schematic



3/4" LIQUID ACCESS PORT ASSEMBLY

(for vessel capacities of 250 liters and greater)

FIGURE F



- 1. 3/8" PLUG & CHAIN
- 2. 3/8" NUT
- 3. 3/8" FERRULE
- 4. 3/8" O-RING
- 5. 3/8" BODY
- 6. 1/2" NUT
- 7. 1/2" FERRULE
- 8. 1/2" O-RING
- 9. 1/2" BODY
- 10. 5/8" NUT
- 11. 5/8" FERRULE
- 12. 5/8" O-RING
- 13. 5/8" BODY
- 14. 3/4" NUT
- 15. 3/4" FERRULE
- 16. 3/4" O-RING
- 17. 3/4" BODY
- 18. 3/4" BALL VALVE
- 19. HANDLE
- 20. NUT
- 21. 1/2" RELIEF VALVE
- 22. 1/2" COUPLING
- 23. FLANGE ASSEMBLY
- 24. 1.25 OD GUIDE TUBE

CRYOFAB, INC.

540 North Michigan Avenue, P.O. Box 485
 Kenilworth, New Jersey 07033
 PHONE: (908)686-3636 FAX: (908)686-9538
 email: sales@cryofab.com www.cryofab.com